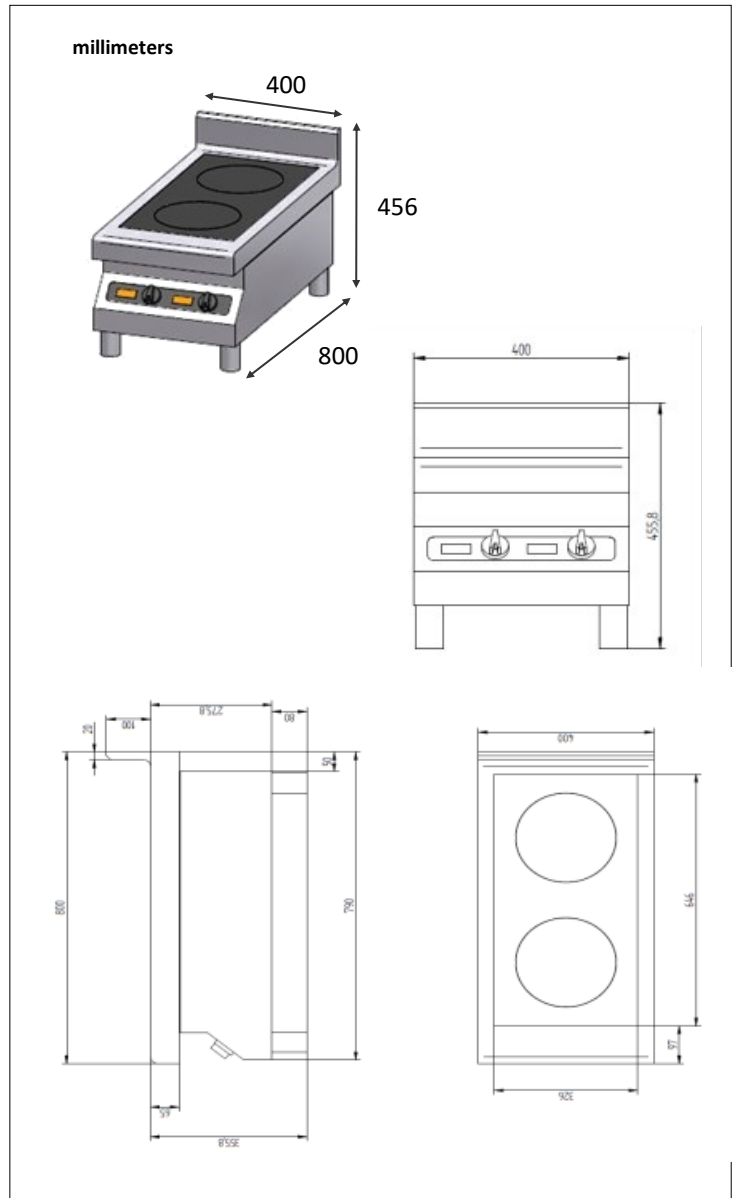


TECHNICAL FEATURES	
External structure	AISI 304 stainless steel
Dimensions	800 x 400 x 456
Power	12000W
Cooking surface	Vitroceramic glass.
Control panel	Knob control
Amp	20A
Functions	On/Off, manual power setting (+/-) with 4 digits display and 3 presets
Power supply	Works between 250 and 490V / 40 and 70Hz. AC 50 - 60 Hz
Weight	43 kg kg / 94,8 lbs.
Standards	Complies with European standards for safety of electrical appliances.
Options & Details	Including a filter (wash regularly). Designed and made in France.



ADVENTYS
 Route de Pagny - 21250 Seurre - France
 www.adventys.com
 sales@adventys.com
 T: +33 3 80 20 46 15

Important note

Adventys reserves the right to modify specifications without notice.

